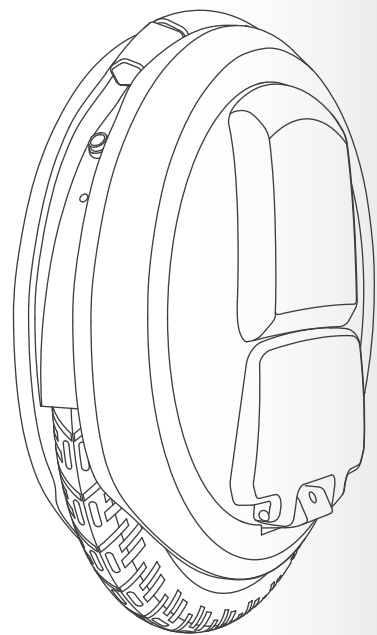


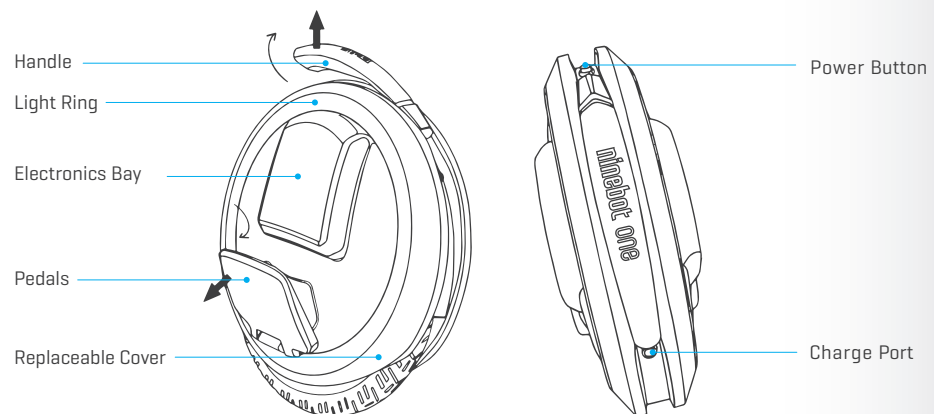
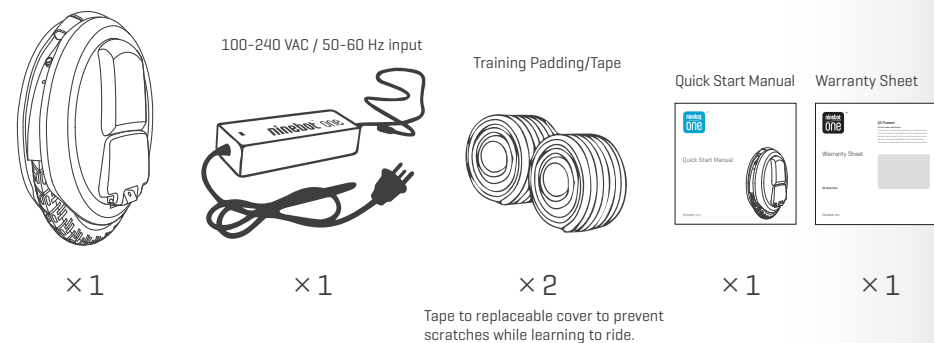


# Quick Start Manual



24860-00001 ac

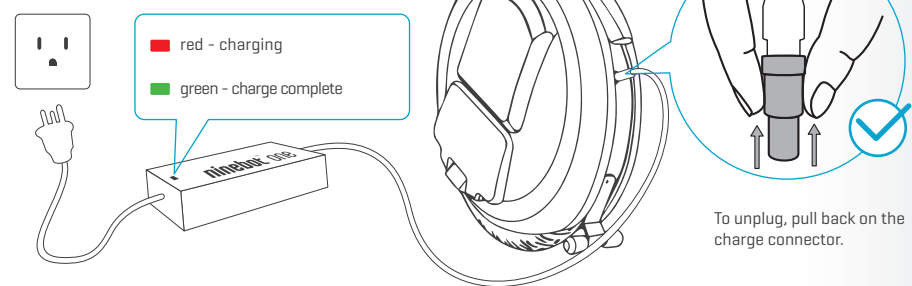
## Included in the box



## Charging

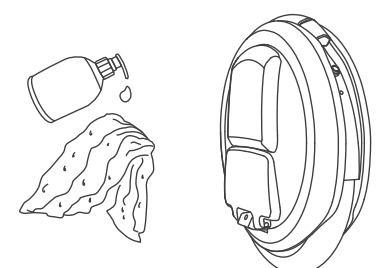
Fully charge Ninebot One before first use.

Input voltage of the charger:  
100-240VAC / 50-60Hz, 2.5A Max



## Cleaning

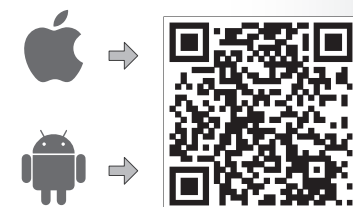
Gently clean your Ninebot One with soap and water and a soft cloth. Do not wash with a power washer or high pressure hose. Do not get water in the charge port.



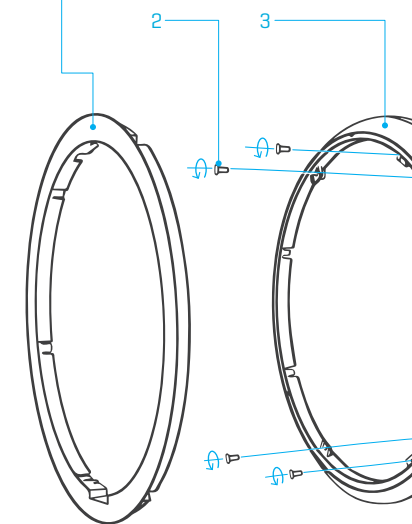
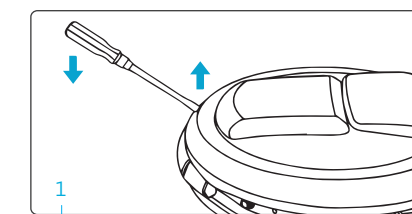
## Download the Ninedroid App

Scan the QR code to download and install the Ninedroid App.

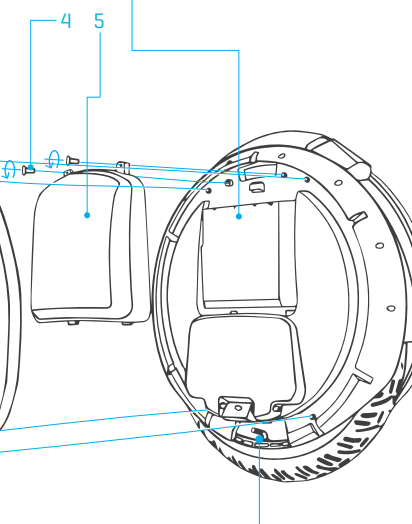
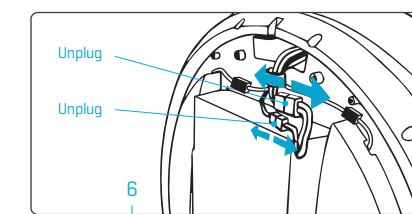
Note: requires Android 4.3 or above.



## Changing covers



## Changing the battery



**Tire Inflation Valve**  
Inflate to 35-40 psi

## Contact

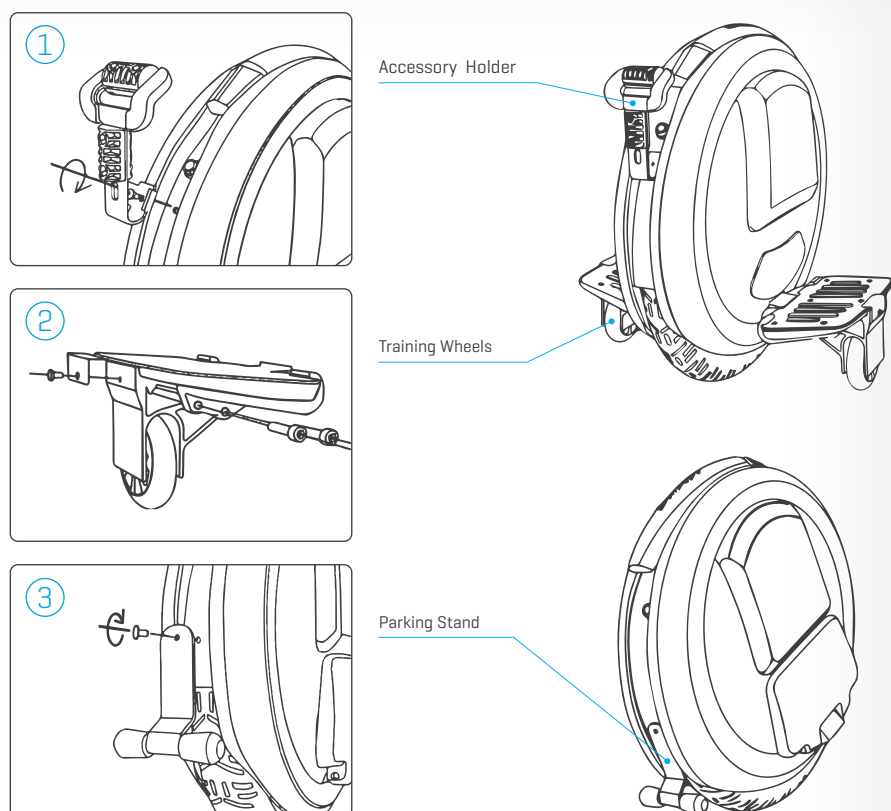
### Ninebot Americas

Segway Inc.  
14 Technology Drive, Bedford, NH 03110  
Tel: 1-603-222-6000  
Fax: 1-603-222-6001  
Toll Free: 1-866-473-4929  
E-mail Sales: customeroperations@segway.com  
E-mail Service: technicalsupport@segway.com  
Website: www.ninebotamericas.com

### Ninebot Worldwide

Ninebot  
1F, A1 Bldg, Zhongguancun Dongsheng Technology Park (Northern Territory), 66 Xixiaokou Rd., Haidian Dist., Beijing, China  
Tel: +86-010-84828002  
Fax: +86-010-84828002-800  
E-mail (Inquiry): sales@ninebot.com  
E-mail (Global service): service@ninebot.com  
Skype (Global service): service@ninebot.com  
Website: www.ninebot.com

## Optional Accessories



## Specifications

Specification	Ninebot One C+	Ninebot One E+
Material and Appearance	AZ91D magnesium alloy, LEXAN PC, LEXAN porcelain-white and glossy black. Optional color kits available. For custom or limited edition models please visit <a href="http://www.ninebot.com">www.ninebot.com</a> .	
Package Size	19.7 in. × 8.7 in. × 22.0 in. [500 mm × 220 mm × 560 mm]	
Machine Size	18.7 in. × 17.8 in. × 9.6 in. [475 mm × 453 mm × 175 mm]	
Machine Weight	30.4 lbs [13.8 kg]	31.3 lbs [14.2 kg]
Rated Power	450 W	500 W
Max Speed <sup>1</sup>	10-12 mph [17-20 kph]	11-14 mph [18-22 kph]
Battery Set <sup>2</sup>	55.5 V, 220 Wh	55.5 V, 320 Wh
Max Range <sup>3</sup>	12-16 miles [20-25 km]	18-22 miles [30-35 km]
Charger	120 W charger with 100-240 VAC input, full charge within 2.5 hours	120 W charger with 100-240 VAC input, full charge within 4 hours
Max Payload	260 lbs [120 kg]	
Working temperature	15-110° F [-10-45° C]	
Lights	Ring lights on both sides: 20 independent RGB LEDs. Indications include: battery status, red lights when braking, and selectable atmosphere lights.	
Optional Accessories	Accessory holder (for attaching most bicycle accessories), training wheels, colored outside shell set, colored soft silicon cover, and more. 250W high-power charger, can shorten charging time by 50%. More accessories available at <a href="http://www.ninebot.com">www.ninebot.com</a> .	

<sup>1</sup> The max speed varies depending on the user's weight and the battery charge, as Ninebot One is equipped with intelligent algorithm control for the speed limiter and dual alert system.

<sup>2</sup> All Ninebot One batteries have received the UN 38.3 safety testing and civil aviation certification.

<sup>3</sup> Based upon a 150 lb [70 kg] rider on flat ground, at a speed of 7.5-9.3 mph [12-15 km/h], and a temperature of 77° F [25° C].

## Legal Notices

Ninebot™ and the shape icon are trademarks of Ninebot (Tianjin) Technology Co., Ltd.; ARM®, that of ARM company; iPhone, iOS, that of Apple Inc.; Android, that of Google Inc.

Ninebot is the owner of various patents relating to Ninebot and Ninebot One personal transportation robot, and other patents pending.

We have attempted to include descriptions and instructions for all the functions of Ninebot One at the time of printing. However, your Ninebot One may differ slightly from the one we show here. Please visit [www.ninebot.com](http://www.ninebot.com) and go to the "Support & Service" channel to download the latest Ninebot user materials.

Please note that there are multiple Ninebot One models with different functions, and some of the functions mentioned herein may not be applicable to your Ninebot.

Ninebot reserves the right to change the design and functionality of the Ninebot One product and documentation without prior notice. All rights reserved. Copyright Ninebot 2015.

For warranty details, please refer to the Limited Warranty Sheet.

This equipment has been tested and found to comply with the limits for a Class B digital device, pursuant to part 15 of the FCC Rules. These limits are designed to provide reasonable protection against harmful interference in a residential installation. This equipment generates, uses and can radiate radio frequency energy and, if not installed and used in accordance with the instructions, may cause harmful interference to radio communications. However, there is no guarantee that interference will not occur in a particular installation. If this equipment does cause harmful interference to radio or television reception, which can be determined by turning the equipment off and on, the user is encouraged to try to correct the interference by one or more of the following measures:

- Reorient or relocate the receiving antenna.
- Increase the separation between the equipment and receiver.
- Connect the equipment into an outlet on a circuit different from that to which the receiver is connected.
- Consult the dealer or an experienced radio/TV technician for help.

CAN ICES-3 (B)/NMB-3(B)

Ninebot ONE FCC ID: ZABUDMODELE

one is all



## ⚠️ Safety Instructions

- Ninebot One is an entertainment product, which is different from motor vehicles driving on the road. Before mastering riding skills, you need to practice. Ninebot is not responsible for any injuries or damage caused by a rider's inexperience or failure to follow the instructions in this document.
- Ninebot One has these automatic safety functions: speed limiter based on rider's weight and battery capacity; automatically powering off when leaning at greater than 45° automatically powering off when the tire is stuck (won't rotate) for more than 2 seconds; power short circuit protection; and battery over-voltage or low-voltage protection. For more detailed information, please visit [www.ninebotamericas.com](http://www.ninebotamericas.com). Although Ninebot One features automatic safety assisting functions, they are no substitute for riding carefully and paying attention to the surroundings.
- To reduce risk of injury, you must read and follow all "CAUTION" and "WARNING" notices in this document. Do not ride at an unsafe speed. Under no circumstance should you ride on roads with motor vehicles. Always follow these safety instructions:
  - The following people should not ride Ninebot One:
    - Anyone under 14 years old or above 60 years old. Riders between 14-18 years old should ride under adult supervision.
    - Anyone under the influence of alcohol or drugs.
    - Anyone who suffers from disease that puts them at risk if they engage in strenuous physical activity.
    - Anyone who has problems with balance or with motor skills that would interfere with their ability to maintain balance.
  - Comply with local laws and regulations when riding this product. Do not ride where prohibited by local laws.
  - To ride safely, you must be able to clearly see what is in front of you and you must be clearly visible to others.
  - Do not ride in the snow, in the rain, or on roads which are wet, muddy, icy, or that are slippery for any reason. Do not ride over obstacles (sand, loose gravel, or sticks). Doing so could result in a loss of balance or traction and could cause a fall.
  - When the battery indicator light is yellow or red, do not ride at a high speed or accelerate/decelerate suddenly.
- Ninebot One interfaces with the Ninedroid App, which can be installed on iOS and Android devices. We strongly recommend users install this App. The App can be used to update the Ninebot One's firmware (to improve product performance and safety), show a dashboard, view riding history/records, and more. For more information, visit the Ninebot web page. While this App is useful, do not allow the App to distract you while you are riding. Always pay attention to your surroundings and the terrain and ride safely.
- Always wear a helmet when riding. Use an approved bicycle or skateboard helmet that fits properly with the chin strap in place, and provides protection for the back of your head.

- Be alert. Scan both far ahead and in front of Ninebot One—your eyes are your best tool for safely avoiding obstacles and slippery surfaces.
- Do not attempt your first ride in any area where you might encounter children, pedestrians, pets, vehicles, bicycles, or other obstacles and potential hazards.
- Spot new riders until they are comfortable with the basic operation of Ninebot One. The safety of new riders is your responsibility. Do not allow anyone to ride Ninebot One for the first time unless you are there to assist them. Do not let new riders operate Ninebot One outside of your direct supervision unless they have read this Guide and watched the Safety Video.
- Use caution when riding in new environments.
- Never restart and ride your Ninebot One after it has indicated an empty battery condition or powered off due to low battery. Ninebot One may not have enough power to keep you balanced, especially if you demand a lot of power at once. If you restart and continue riding, you risk falling. Also, you risk damaging your batteries, resulting in reduced battery life and capacity.
- Do not insert the power cord if the Charge Port is wet.
- Use a surge protector when charging to help protect it from damage due to power surges and voltage spikes.
- Always shut down your Ninebot One and unplug the AC Power Cord before performing any maintenance or installing any part or accessory.
- Use only Ninebot approved parts and accessories. Do not modify Ninebot One. Modifications to Ninebot One could interfere with the operation of Ninebot One, could result in serious injury and/or damage, and could void the Ninebot One Limited Warranty.
- Do not lift the Ninebot One off the ground when it is powered ON, or power ON the Ninebot One when you are carrying it. The wheel may spin, which could cause injury or property damage.

## ⚠️ WARNING

You must read and understand the Safety Instructions section of this manual before attempting to ride the Ninebot One.

**Always wear a helmet and protective clothing when riding.**

**Use caution when riding on slopes. Avoid riding on steep slopes.**

**Watch your head when passing through doorways.**

**Use caution when riding over any changes in terrain.**

**Do not ride on limited traction surfaces.**

## ⚠️ WARNING

To reduce the risk of injury, you must read and understand the following warnings before attempting to ride the Ninebot One.

**Do not ride over holes, curbs, steps, or other obstacles.**

**Do not rock back and forth or shift your weight abruptly.**

**Ninebot One is for one rider only. Do not ride double or carry any passengers. Do not carry a child in your arms or in a child carrier while riding. Expectant mothers should not ride Ninebot One.**

**Do not accelerate when the Ninebot One tilts back or sounds an alarm.**

**Do not ride on public roads, motorways, highways, or streets.**

**Do not exceed the speed limit of 12 mph/20 kph.**

**Do not attempt stunts of any kind. Always keep both feet on the pedals.**

**Maintain contact with the ground at all times. Do not jump or attempt stunts.**

**Do not get wet. Do not ride through puddles or other bodies of water.**

## 🔌 Power ON/OFF

**ON** (< 0.5s)

**OFF** (< 0.5s)

**> 1.5s**: Long press the "Power ON/OFF" button to scroll through the lighting options.

**×2**: You can also double-tap the side of the Ninebot One to scroll through the lighting options.

## 🔋 Battery Charge Level

The battery charge level display appears when the Ninebot One is kept stationary.

## ☀️ Change the Light Pattern

## 📖 Learning to Ride

Like riding a bicycle or unicycle, it takes a certain skill level to ride Ninebot One. It may take up to 20 hours of practice to be able to ride Ninebot One.

- For training videos visit [www.NinebotAmericas.com](http://www.NinebotAmericas.com)
- Get used to the way Ninebot One operates: step on one pedal, then swing your leg back and forth to feel the controls.
- Using a friend, wall, or handrail: put both feet on Ninebot One and practice riding slowly forward and backward.
- With one foot on a pedal, slowly lean forward. Push off with your other foot and glide for 1-2 seconds.
- After you are able to comfortably glide for a few seconds, try gliding for 10-20 ft (3-5 m) with both feet on the pedals.
- Practice travelling forward and backward by controlling your body's center of gravity. The further you lean, the faster you go.
- Turn by pressing harder on one pedal than the other, and by shifting your weight slightly.
- To get off: come to a stop by centering your weight, then step off Ninebot One with one foot.